



TECHNICAL DATA

TYPE

Professional LED projectors for **Public Lighting**.

Can be used in Highway or any public road and in Parks.

OPENING/BEAM

High efficiency Ra>70 LED chip on Board. Precision optics with reflector 0-90°.

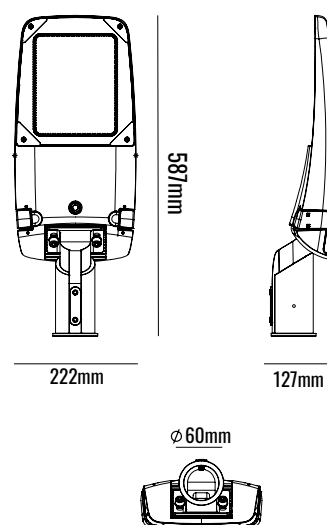
MATERIAL

Die-cast aluminum housing and tempered glass.

PRO	CRI ≥ 80	
IP66		T2/T3
100-277V 50/60Hz		50000h

DIMENSION DRAW

Model:	Alcano
Format:	Rectangular
Location:	Exterior
Wattage:	100W
Materials:	Aluminum
Led Color:	2CCT: 3000K / 5000K
Product Dimension:	587*222*127mm
IP Code:	66
Fixation:	Surface
CRI :	80
Lumen Output:	13500LM
Frequency:	50/60 Hz
Beam Angle:	T2 / T3 as requirement



OUTDOOR